



## BLADE TYPE TRANSPONDER ANTENNA INSTALLATION INSTRUCTIONS

The Blade Type Transponder Antennae should be mounted on the bottom side of the aircraft, on a surface as flat as possible and at least 50cm (20 in) away from any other metal protrusions. For composite and wood aircraft a ground plane will be required by using an aluminium sheet of approximately 120 x 120mm in size.

Drill two mounting holes and a third hole for the connector, into the aircraft skin, according to the attached drawings.

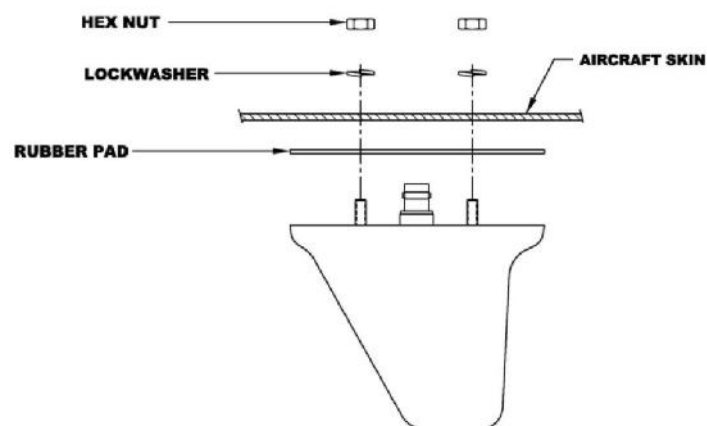
Insert the Antenna with the rubber pad between the antennae and aircraft skin and fasten securely using the lock washers and hex nuts.

Attach a suitable BNC connector and cable LMR195 or HDF195 (not supplied) to the antenna and route the cable appropriately to the transponder with a suitable connector depending on the model and type.

### **IMPORTANT INFORMATION**

*This product has undergone extensive testing in various applications with excellent results but since it has not received any type certifications, it can only be used in Non Type Certified and Experimental Aircraft.*

*It is recommended that the installation be carried out by suitably qualified persons for optimal performance.*



(More drawings on reverse side)

